



FLYGT

Product catalogue

Submersible sewage pump DL, 50 Hz



Flygt



ITT Industries
Engineered for life



Introduction

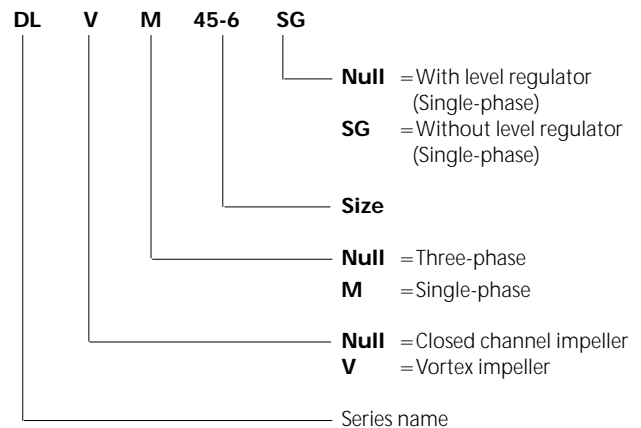
The DL range is a compact high performance range of submersible pumps with pump body in cast iron and motor casing in stainless steel. The throughlet is up to 50 mm, which makes the pump suitable for handling water and waste water containing solids.

Delivery: up to 700 l/min
Head: up to 21 m

Applications

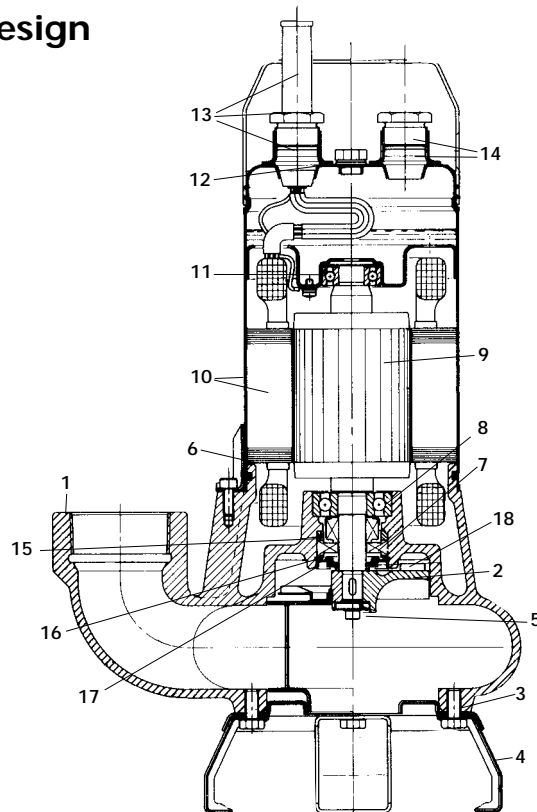
- Pumping of sewage with suspended solids
- Emptying of sewage collection tanks, civil drainage and waste water in general
- Drainage of underpasses and yards, tanks and reservoirs, ditches and trenches and marshy land

Product identity





Design



DL

Product

Submersible pump for a variety of sewage and waste water applications.

Process data

Liquid temperature:

Fully submerged

Partly submerged

Max size of suspended solids:

DL 45,46

DL 50

DLV 45

DLV 50

max 50°C

max 25°C

45 mm

50 mm

45 mm

50 mm

1. Pump body in cast iron

2. Impeller, cast iron

3. Suction flange

4. Supporting foot

5. Impeller lock washer

6. O-ring

7. Mechanical seal, carbon/ceramic

8. Lower bearing

9. Shaft & rotor

10. Motor housing with stator

11. Upper bearing

12. Shaft and washer

13. Supply cable gland

14. Insert and union plug

15. Mechanical seal spacer

16. Shoulder seal washer

17. Labyrinth seal cover

18. Sand slinger

Motor data

Oil filled motor for submersible duty

Frequency

50 Hz

Insulation class

F (155°C)

Protection class

IP68

Immersion depth

max 5 m

Oil

Dielectric non toxic

Cable

HO7RN-F

10 m

Control

Single-phase

Built in level regulator

Three-phase

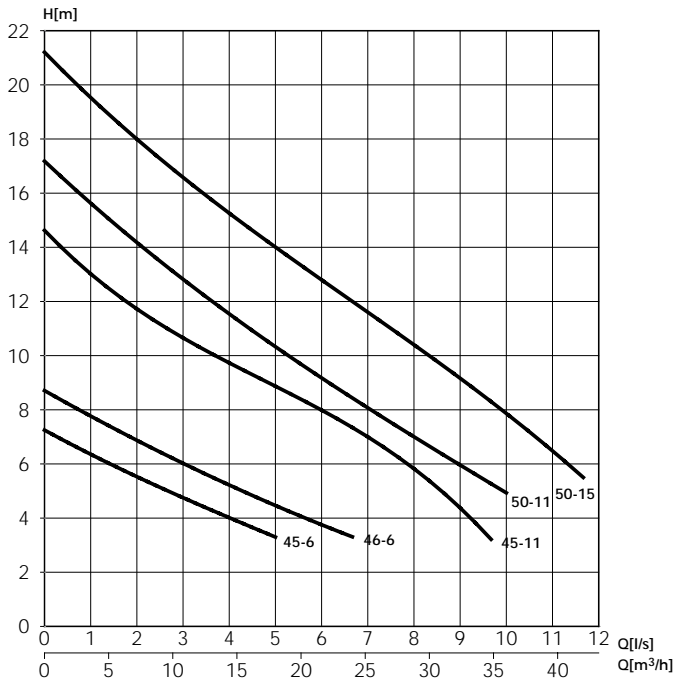
To be provided

Motor rating

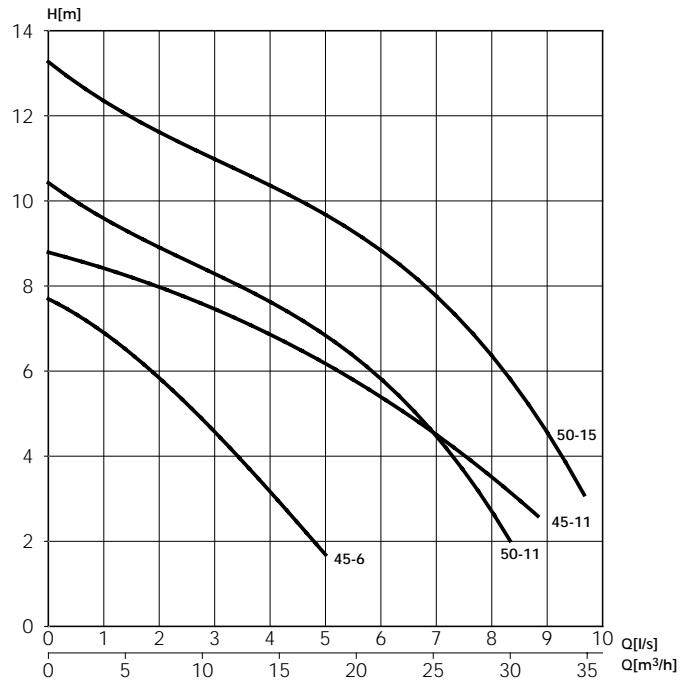
Pump type Three phase	Power kW	Input current A	
		220-240 V	380-415 V
DL 45-6	0.6	2.8	1.6
DL 46-6	0.6	3.0	1.75
DL 45-11	1.1	5.0	2.9
DL 50-11	1.1	5.7	3.3
DL 50-15	1.5	6.6	3.8
DLV 45-6	0.6	3.2	1.85
DLV 45-11	1.1	5.5	3.2
DLV 50-11	1.1	5.6	3.2
DLV 50-15	1.5	6.6	3.8

Pump type Single phase	Power kW	Capacitor		Input current A 220-240 V
		µF	V	
DLM 45-6	0.6	20	450	3.8
DLM 46-6	0.6	20	450	4.2
DLM 50-11	1.1	30	450	8.0
DLVM 45-6	0.6	20	450	4.7
DLVM 50-11	1.1	30	450	7.8

Performance curves DL



Performance curves DLV



Dimensions and weight

Pump type	C	h	H1	L	W	DNM	Weight kg
DL(M) 45-6	2000	455	180	278	138	2"	19.5
DL(M) 46-6	2000	455	180	278	138	2"	20.5
DL 45-11	2390	486	180	343	183	2"	21.0
DL (M)50-11	2390	486	180	343	183	2"	27,0
DL 50-11	2390	486	180	343	183	2"	27.0
DLV(M) 45-6	2000	486	180	278	138	2"	19.0
DLV 45-11	2390	455	180	243	183	2"	21.0
DLV 45-11	2390	486	180	243	183	2"	27.0
DLV(M) 50-11	2390	486	180	243	183	2"	27.0
DLV 50-15	2390	486	180	243	183	2"	27.0

